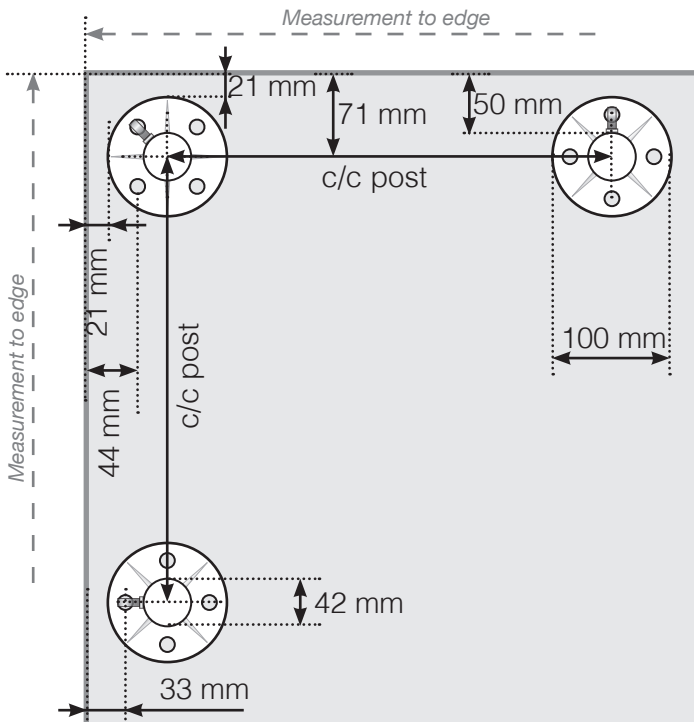


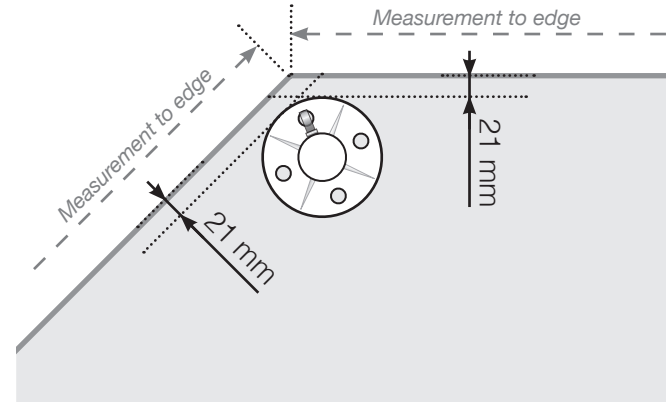
MEASUREMENT DIAGRAM

PLACEMENT - STAINLESS STEEL POSTS WITH FEET FOR CABLE RAILING AND GLASS

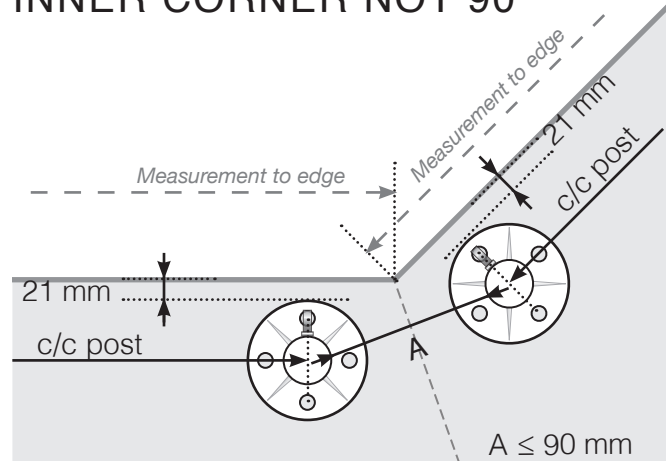
OUTER CORNER



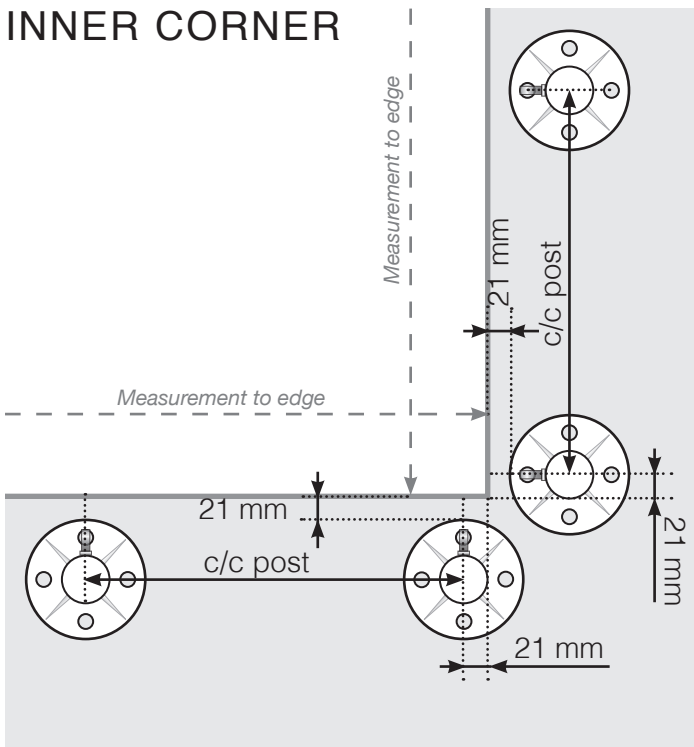
OUTER CORNER NOT 90°



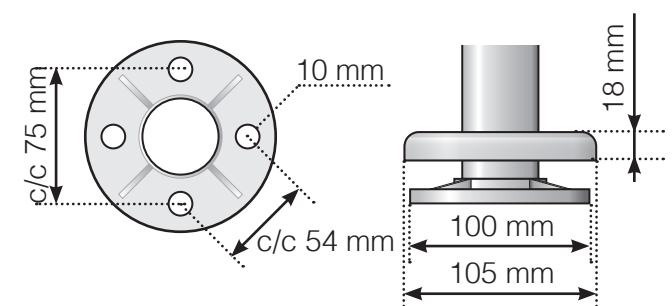
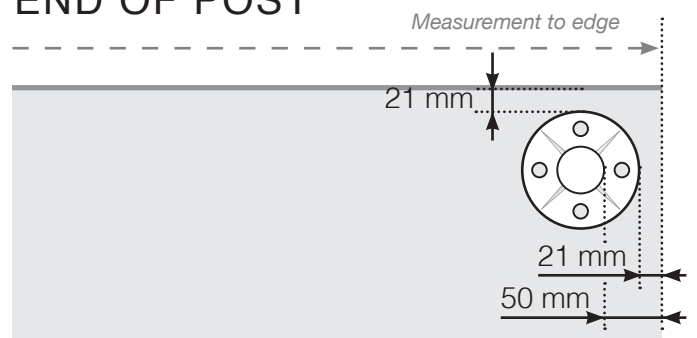
INNER CORNER NOT 90°



INNER CORNER



END OF POST



Please note that the drawings are not to scale
 © Räckesbutiken Sweden AB - www.balustradestore.eu
 2021-10-01 v.1.0