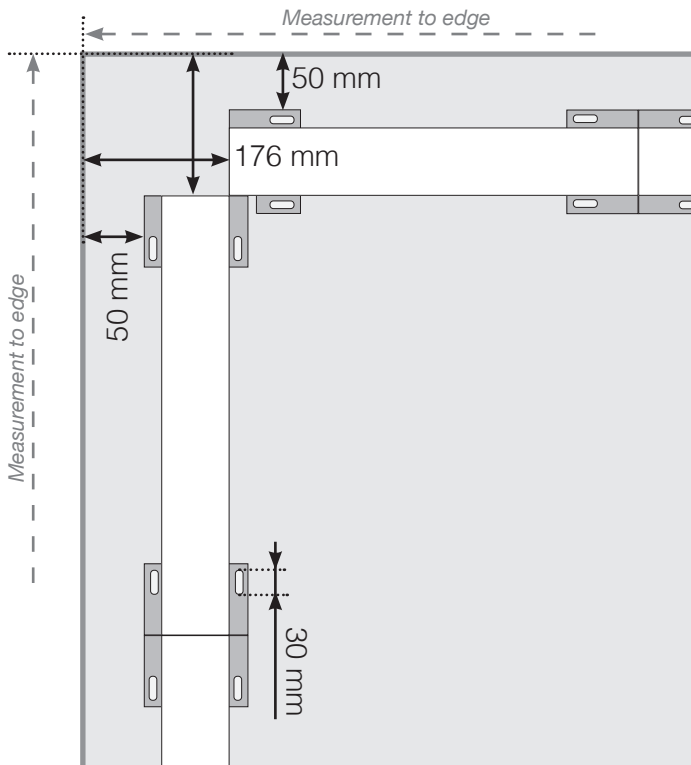


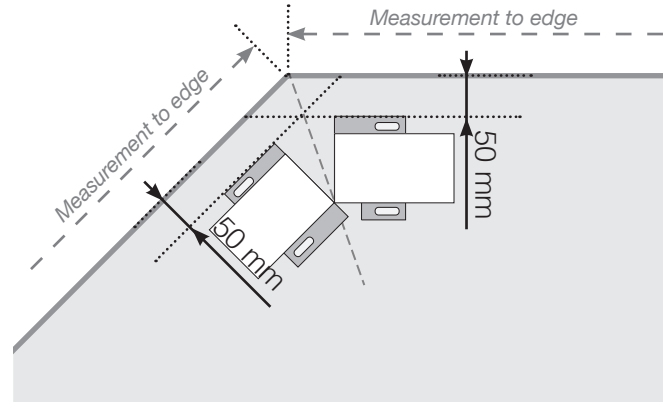
# MEASUREMENT TEMPLATE

PLACING - ALU FLEX CLAMP SUPPORT CONCRETE BASE

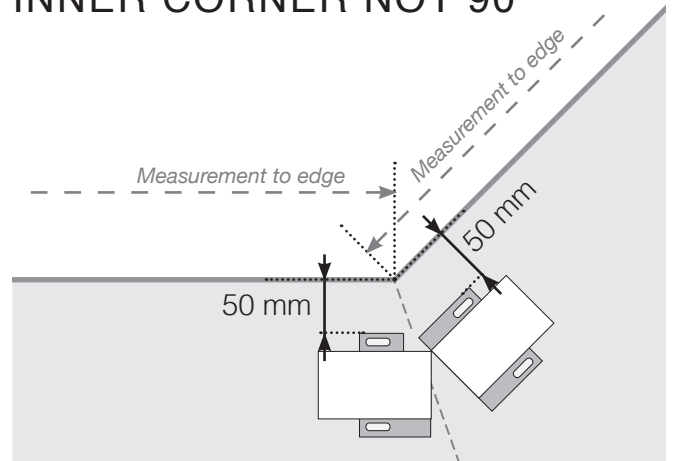
## OUTER CORNER



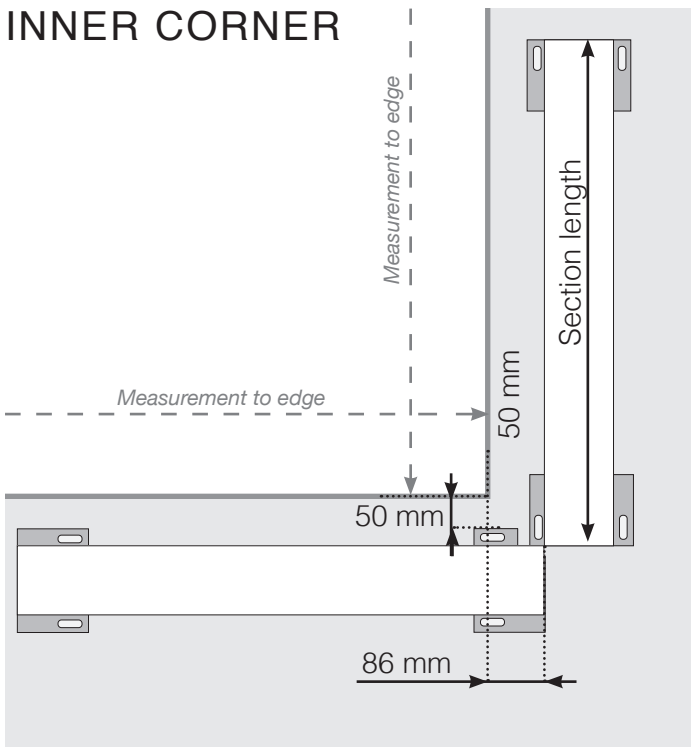
## OUTER CORNER NOT 90°



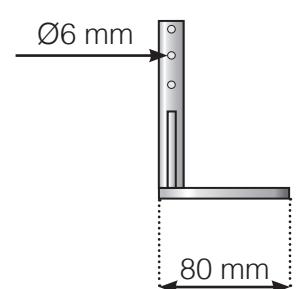
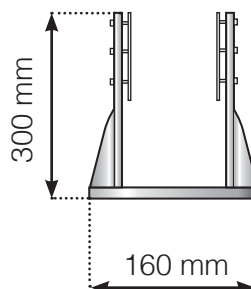
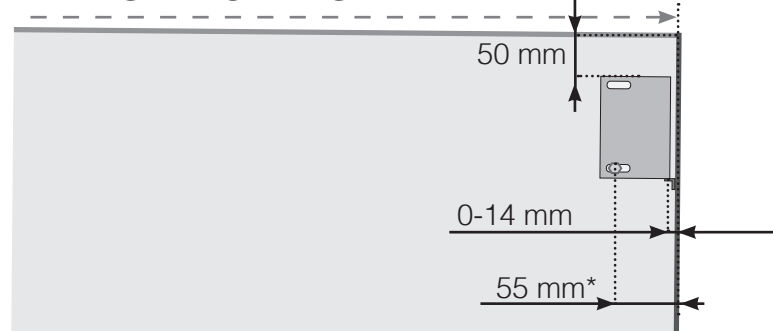
## INNER CORNER NOT 90°



## INNER CORNER



## FINISH AGAINST WALL



\* From centrum of the screw to the wall.

Note that the drawings are not to scale

© Räckesbutiken Sweden AB - <https://www.balustradestore.eu>  
2022-03-14 v.1.0