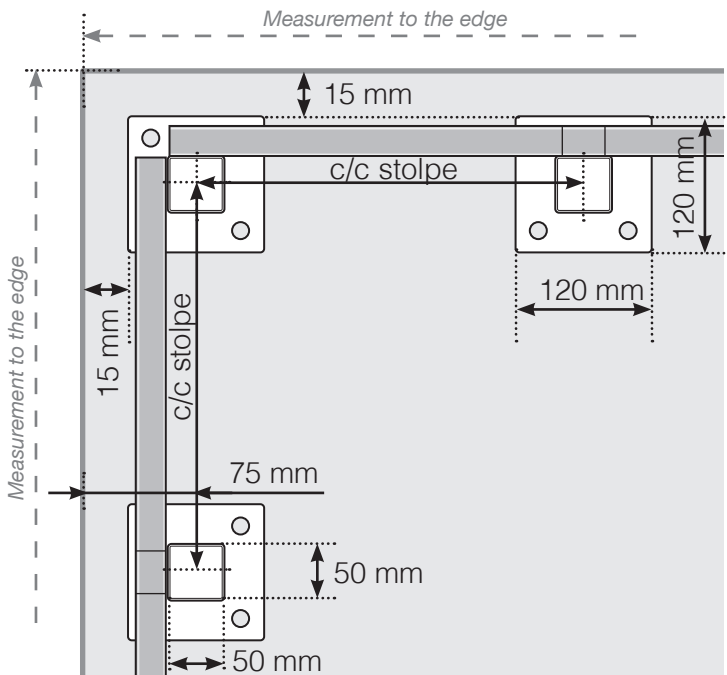


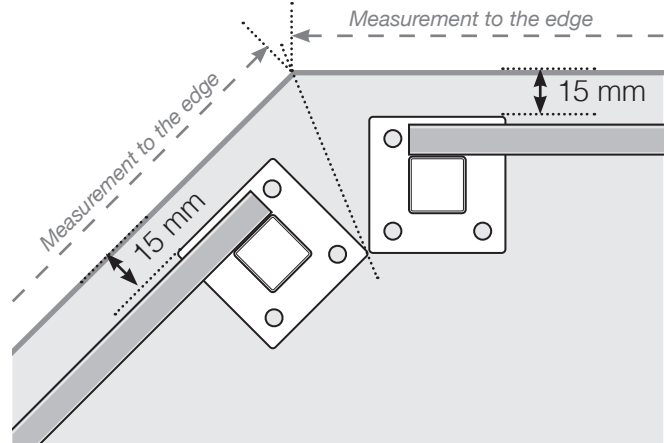
MEASUREMENT DIAGRAM

PLACEMENT - ALUMINIUM POSTS WITH FEET - DESIGN VARIANT 1

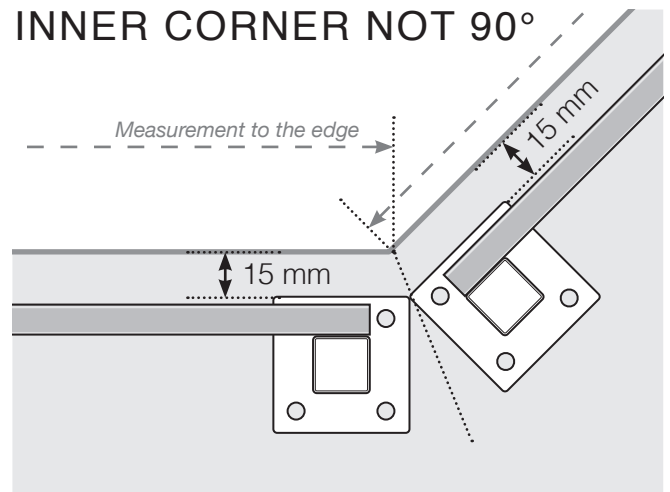
OUTER CORNER



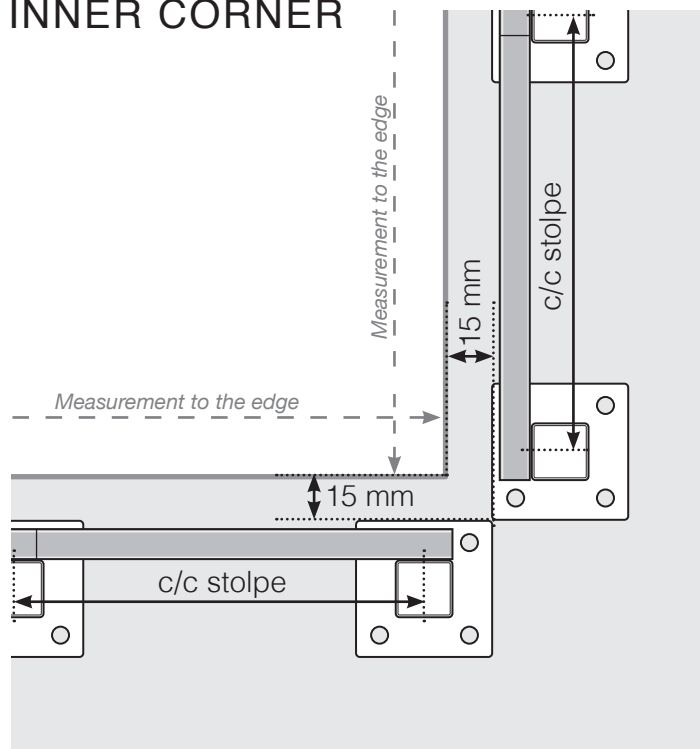
OUTER CORNER NOT 90°



INNER CORNER NOT 90°



INNER CORNER



END OF POST

