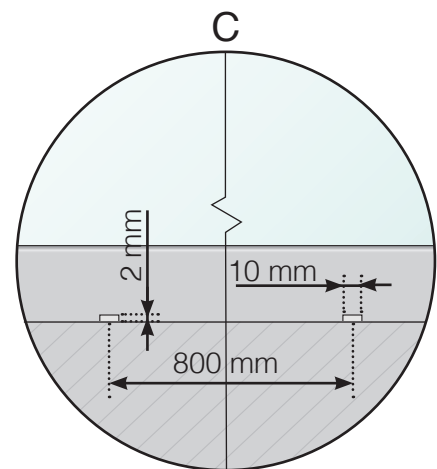
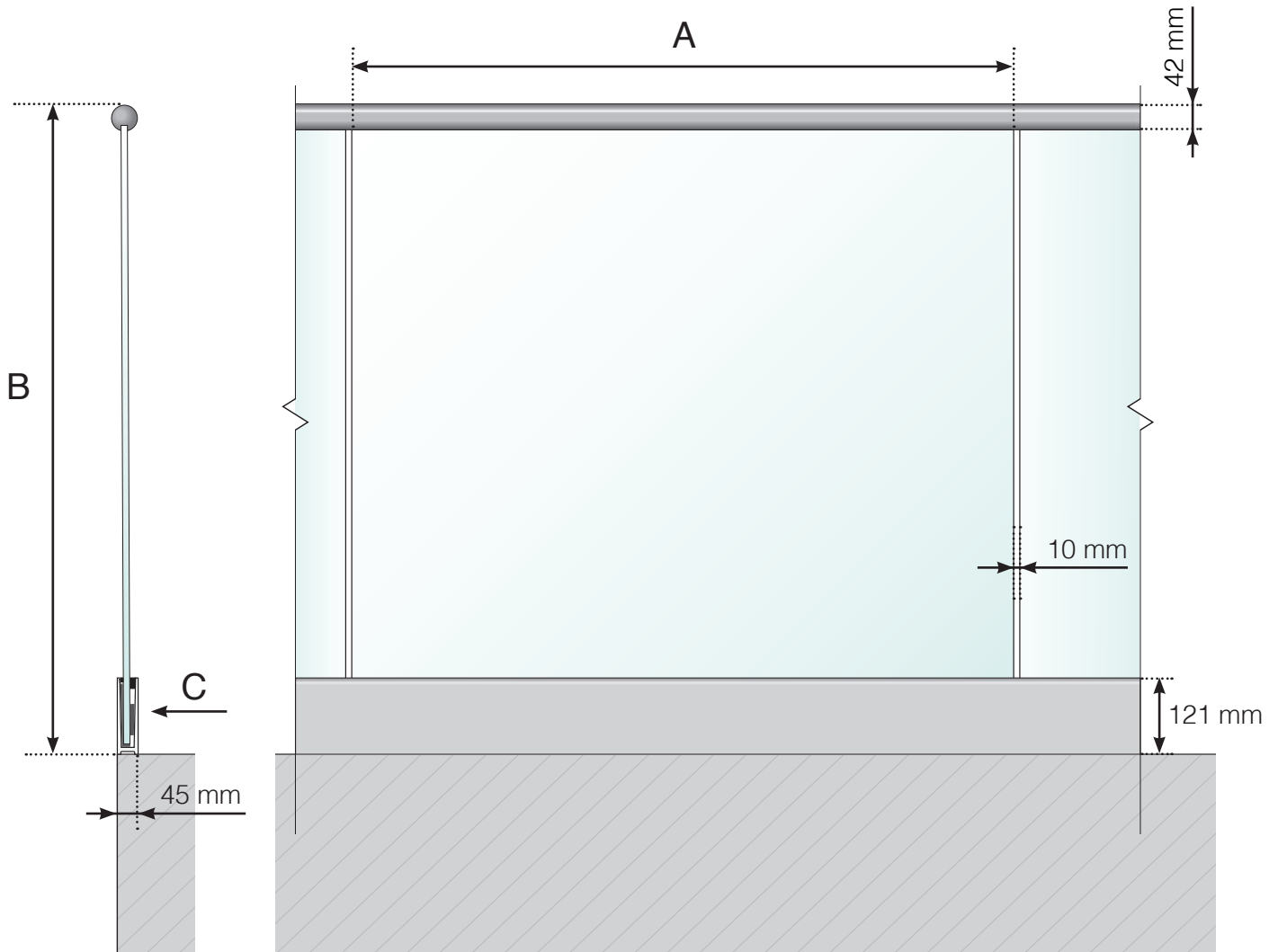


DETAILED MEASUREMENTS

POST-FREE RAILING WITH RAIL AND CROSSBAR



A - The width of the glass depends on the length of the sides and the number of sections

B - Total height of the railing

C - A hole in the rail allows for the drainage of water

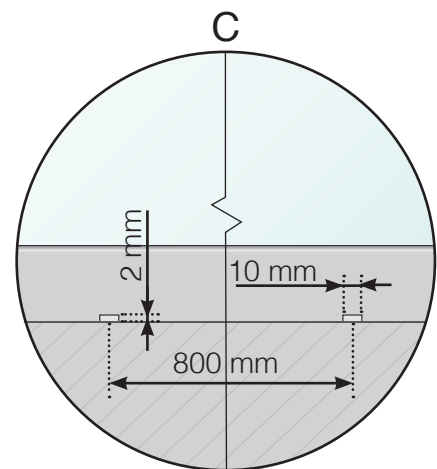
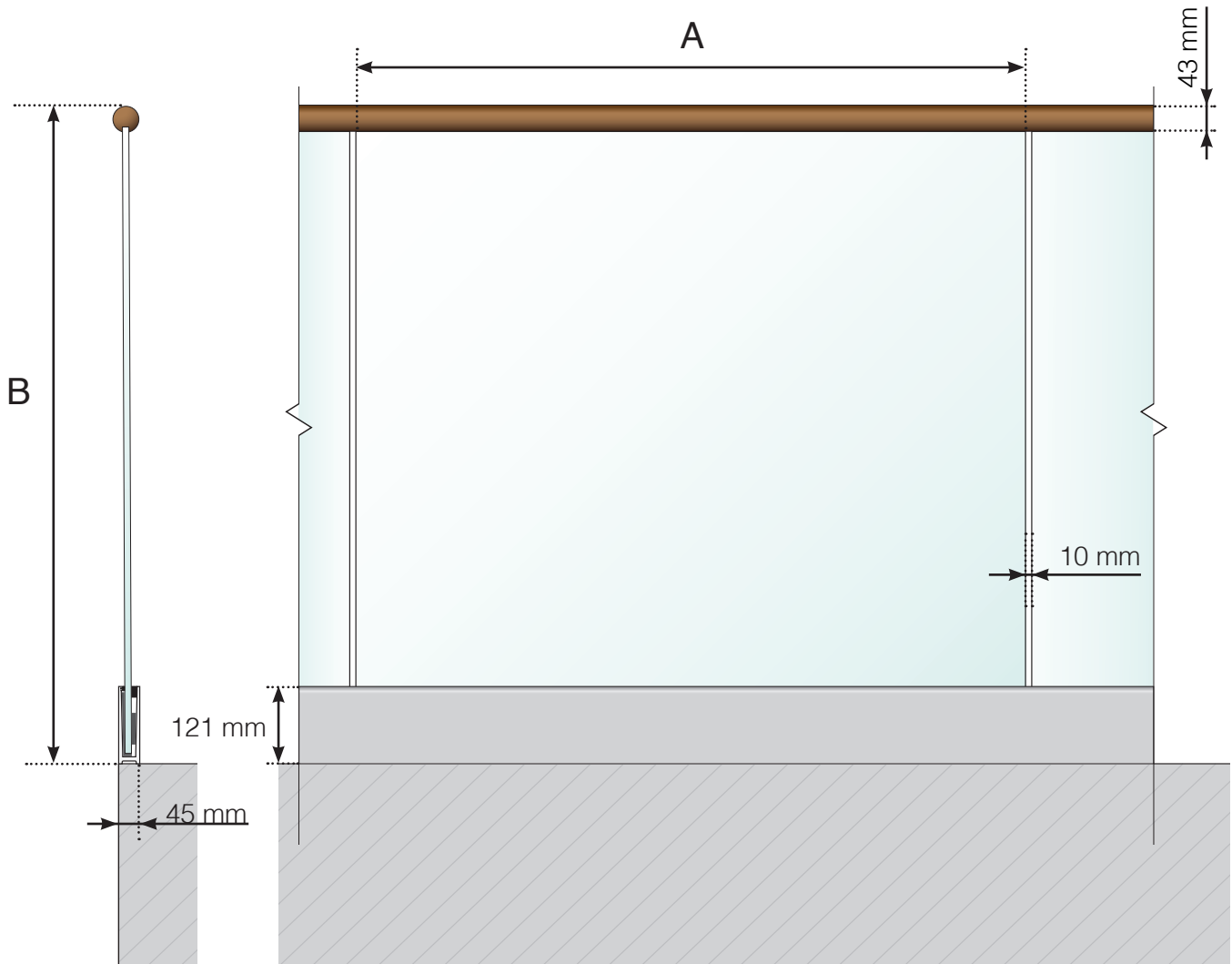
Please note that the drawings are not to scale

© Räckesbutiken Sweden AB - www.balustradestore.eu

2022-10-10 v.1.0

DETAILED MEASUREMENTS

POST-FREE RAILING WITH FIXPOINTS AND WOODEN CROSSBAR



A - The width of the glass depends on the length of the sides and the number of sections

B - Total height of the railing

C - A hole in the rail allows for the drainage of water

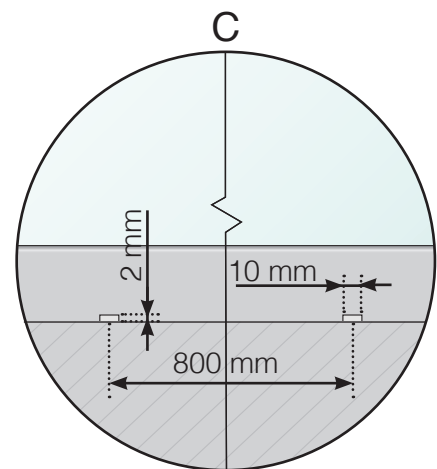
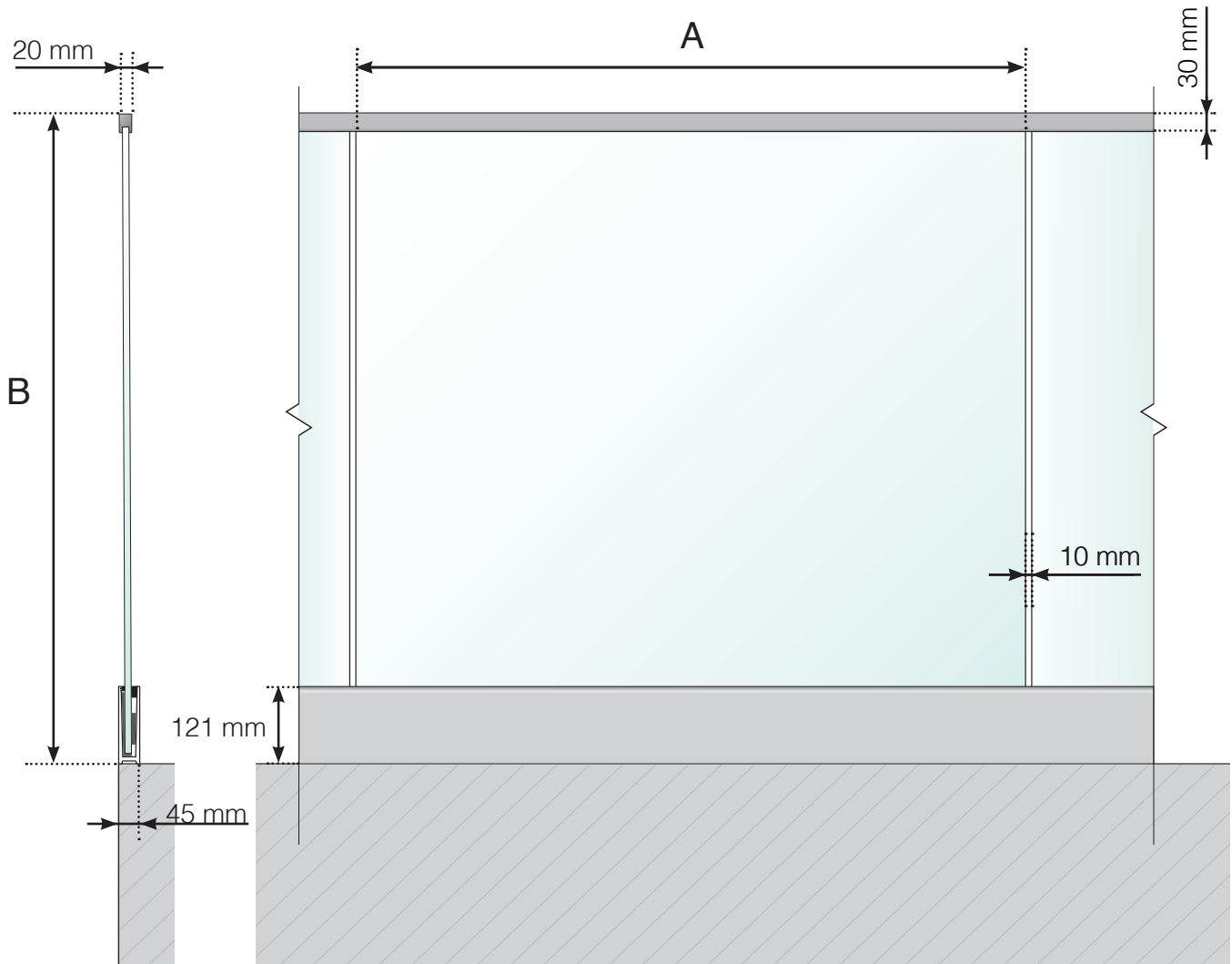
Please note that the drawings are not to scale

© Räckesbutiken Sweden AB - www.balustradestore.eu

2022-10-10 v.1.0

DETAILED MEASUREMENTS

POST-FREE RAILING WITH FIXPOINTS AND ALUMINIUM CROSSBAR



A - The width of the glass depends on the length of the sides and the number of sections

B - Total height of the railing

C - A hole in the rail allows for the drainage of water

Please note that the drawings are not to scale

© Räckesbutiken Sweden AB - www.balustradestore.eu

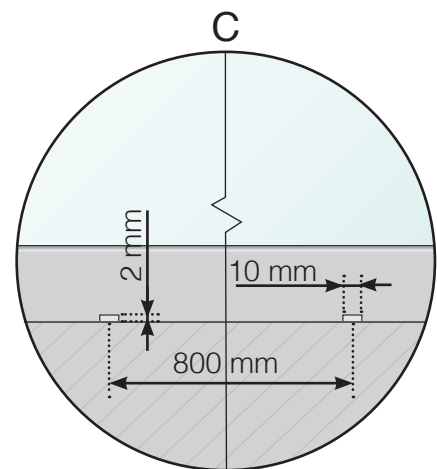
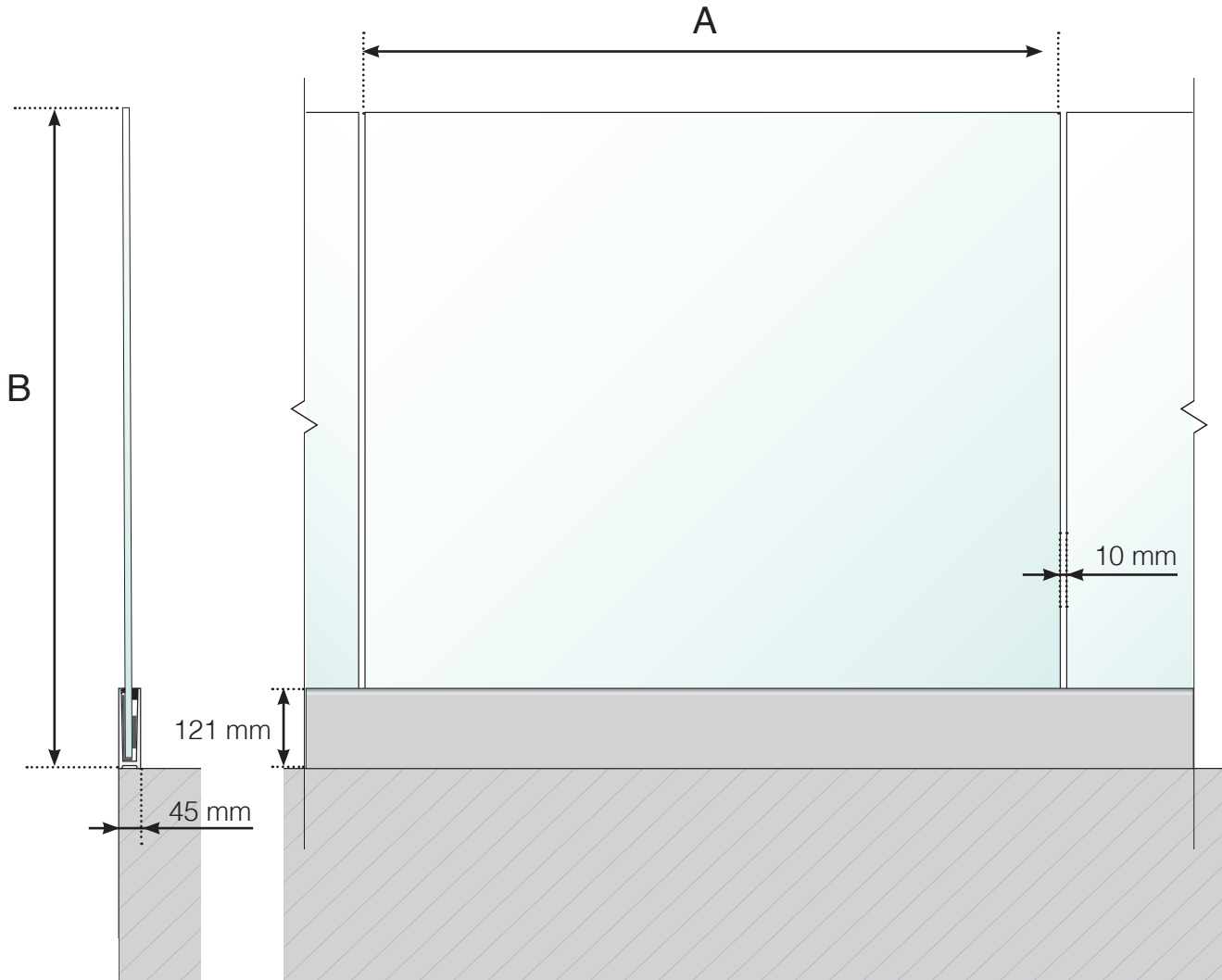
2022-10-10 v.1.0



BALUSTRADESTORE.EU

DETAILED MEASUREMENTS

POST-FREE RAILING WITH RAIL



- A - The width of the glass depends on the length of the sides and the number of sections
- B - Total height of the railing
- C - A hole in the rail allows for the drainage of water