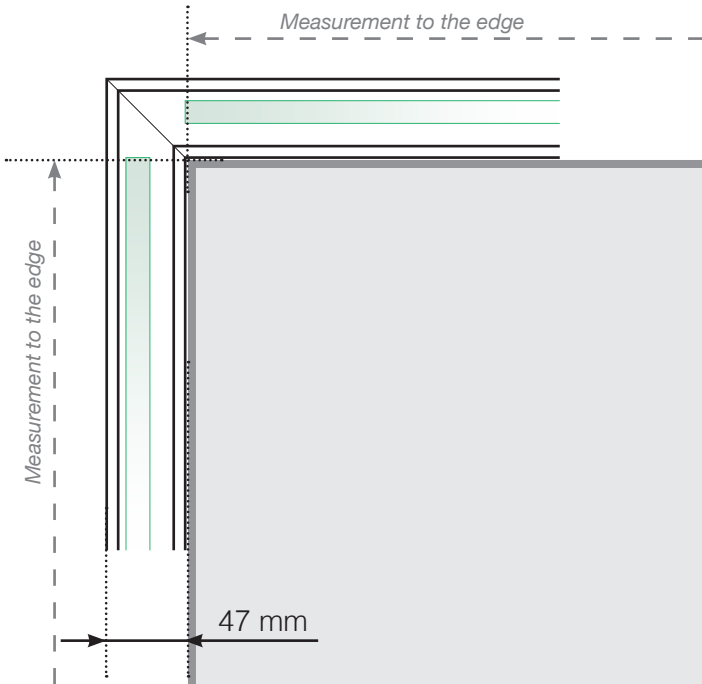


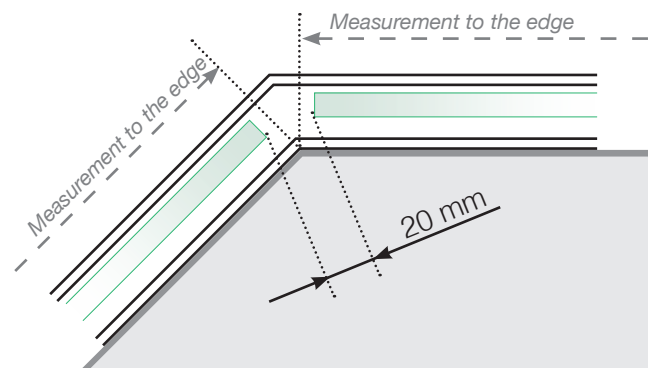
MEASUREMENT DIAGRAM

PLACEMENT - POST-FREE RAIL ON TOP
WOOD

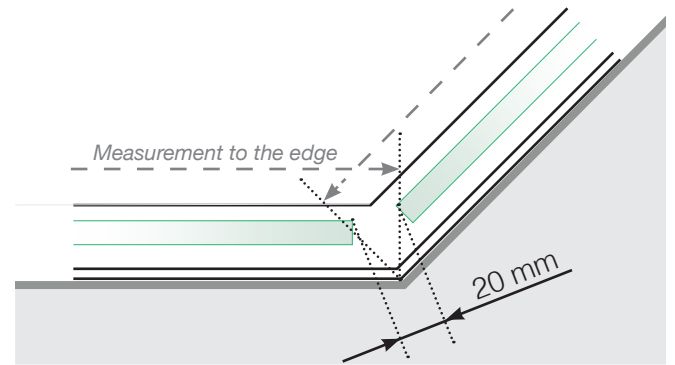
OUTER CORNER



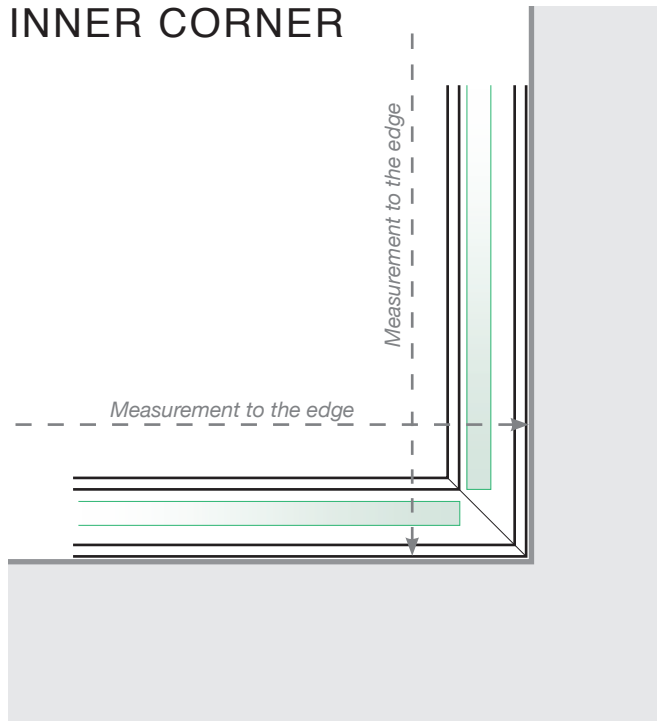
OUTER CORNER NOT



INNER CORNER NOT 90°

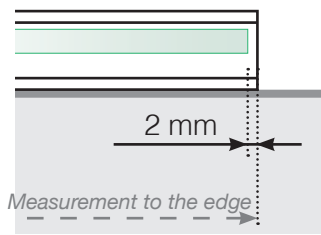


INNER CORNER

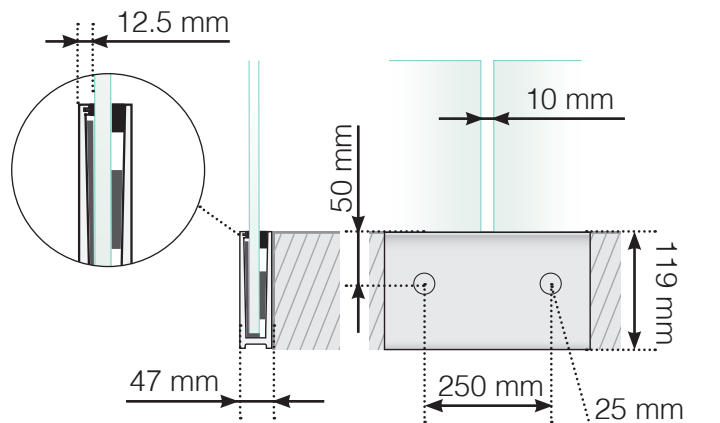
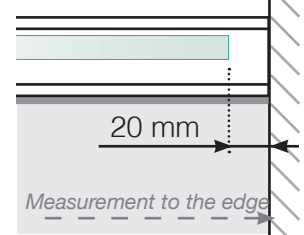


END

Free-standing



By the wall



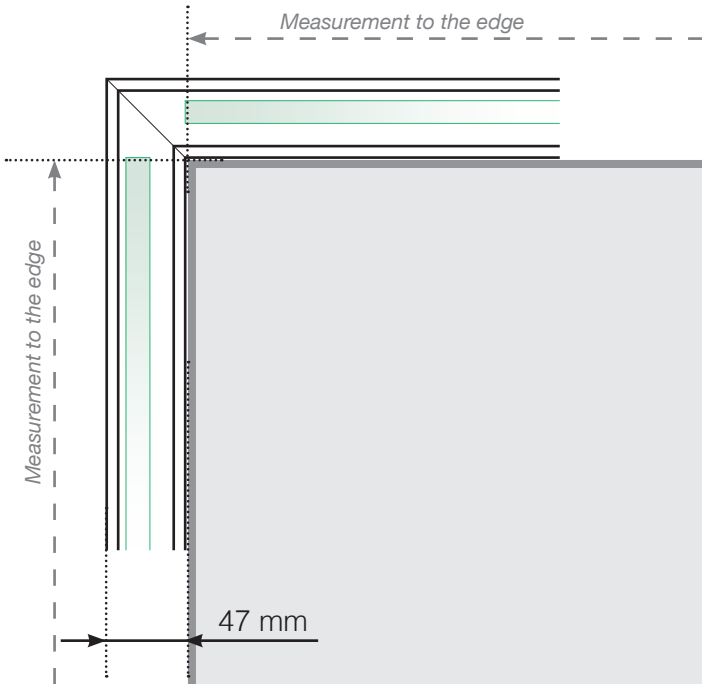
Please note that drawings are not to scale

© Räckesbutiken Sweden AB - www.balustradestore.eu
2022-10-10 v.1.0

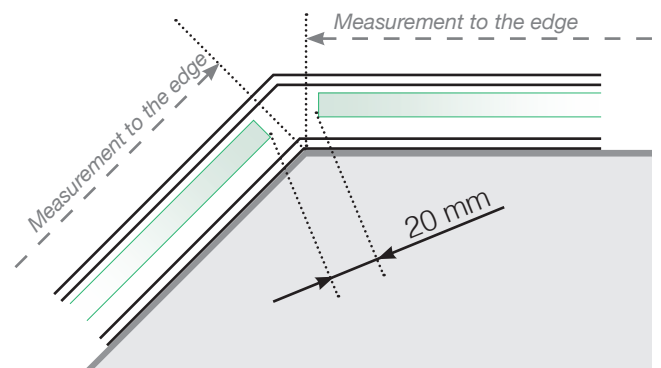
MEASUREMENT DIAGRAM

PLACEMENT - POST-FREE RAIL ON TOP
MOUNTING ON THE CONCRETE SUBSTRATE

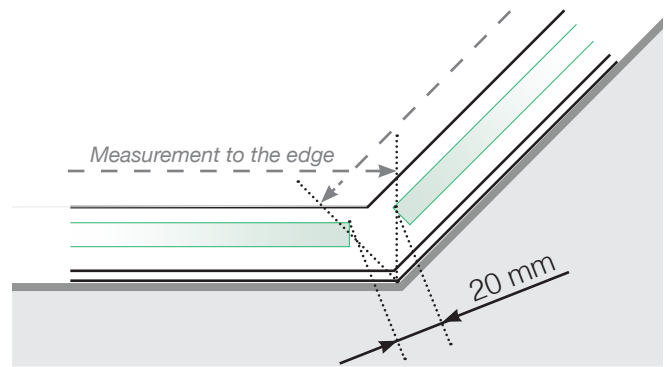
OUTER CORNER



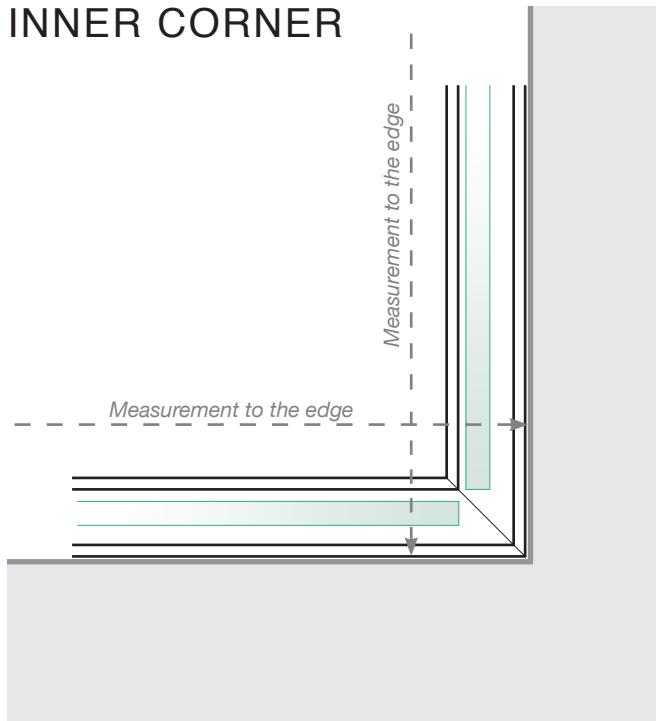
OUTER CORNER NOT 90°



INNER CORNER NOT 90°

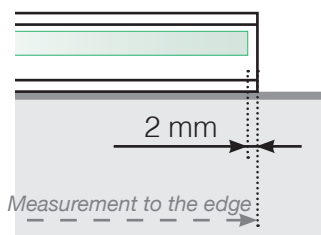


INNER CORNER

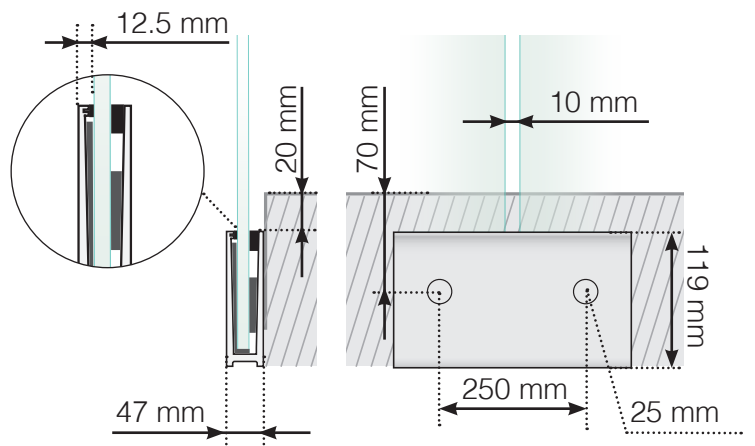
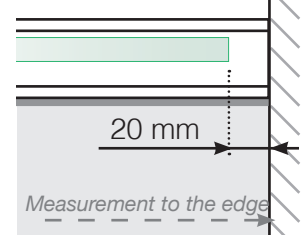


END

Free-standing



By the wall



Please note that drawings are not to scale

© Räckesbutiken Sweden AB - www.balustradestore.eu
2022-10-10 v.1.0