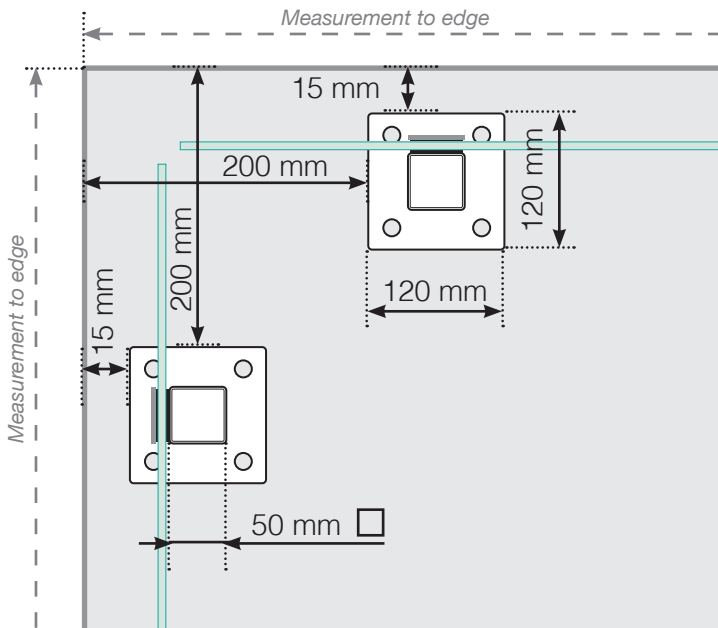


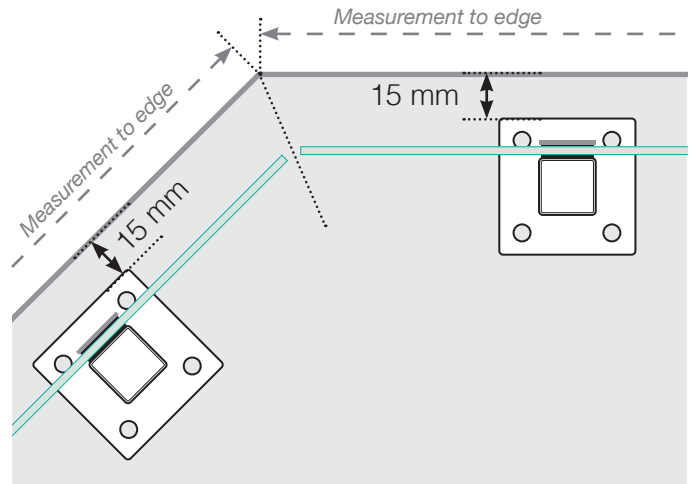
# MEASUREMENT DIAGRAM

PLACEMENT - ALUMINIUM POSTS WITH FEET, OUTER GLASS MOUNTING

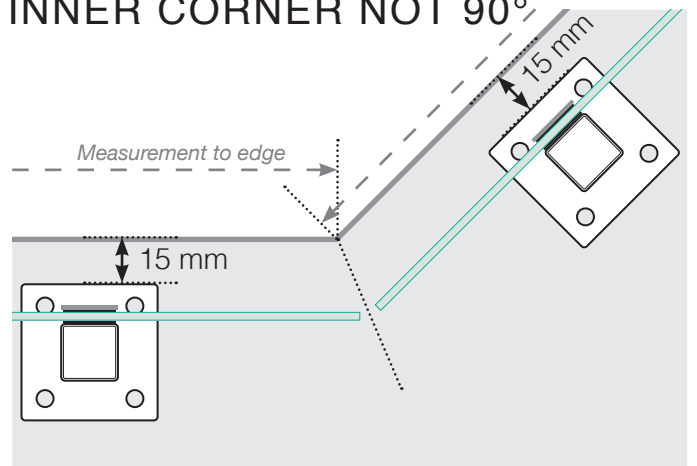
## OUTER CORNER



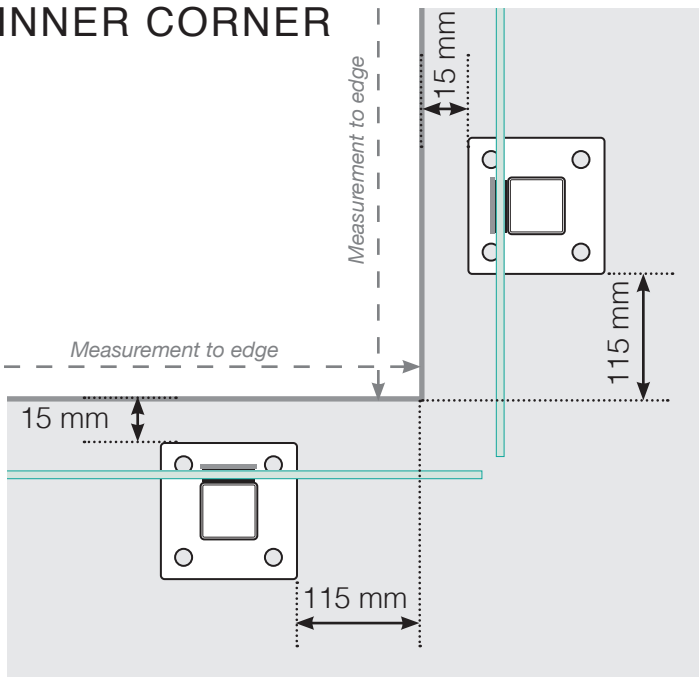
## OUTER CORNER NOT 90°



## INNER CORNER NOT 90°



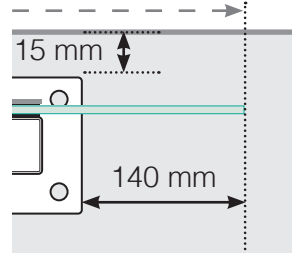
## INNER CORNER



## END

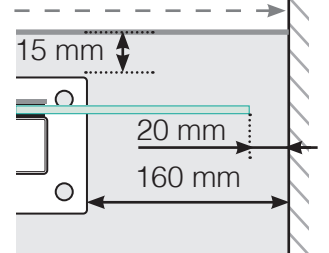
Free-standing

Measurement to edge

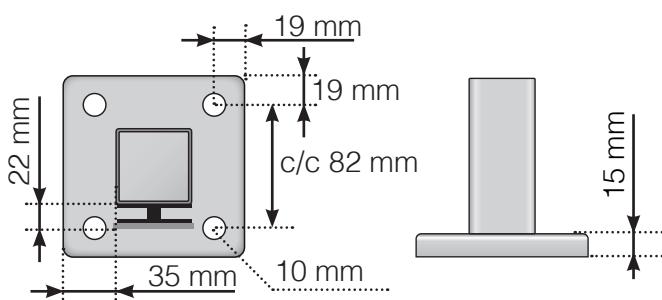
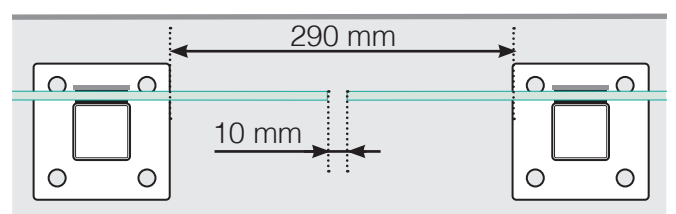


By the wall

Measurement to edge



## DISTANCE BETWEEN STRAIGHT SECTIONS



Please note that the drawings are not to scale  
© Räckesbutiken Sweden AB - www.balustradestore.eu