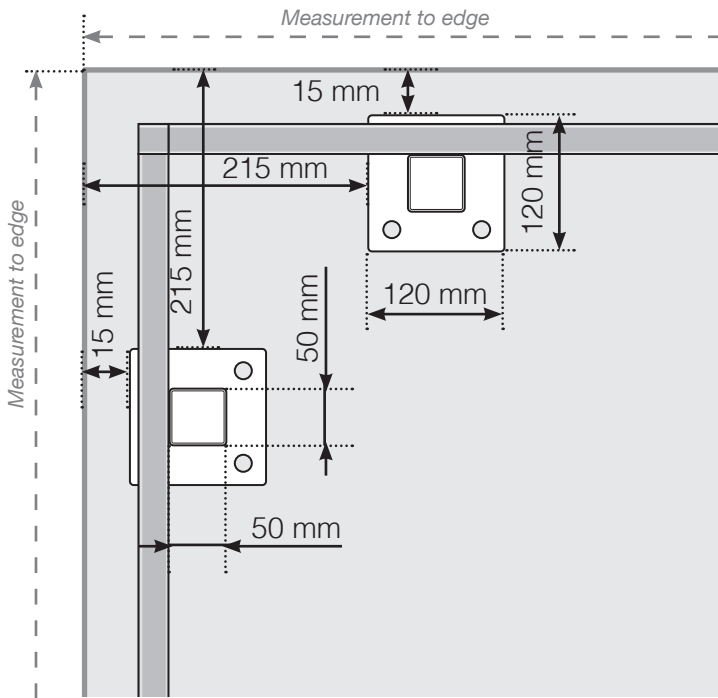


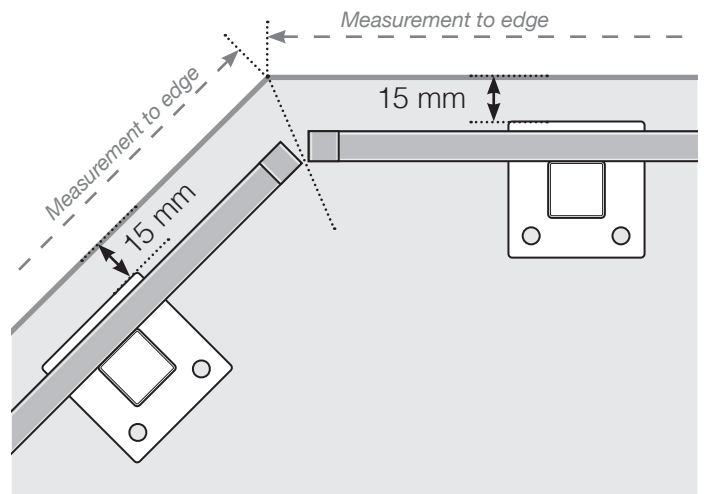
MEASUREMENT DIAGRAM

PLACEMENT - ALUMINIUM POSTS WITH FEET - DESIGN VARIANT 2

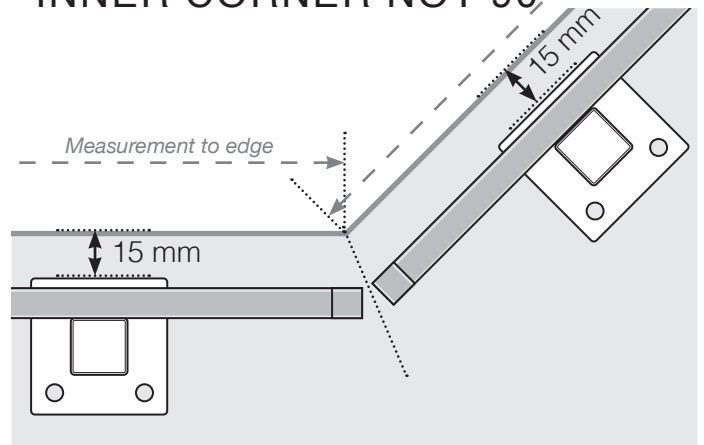
OUTER CORNER



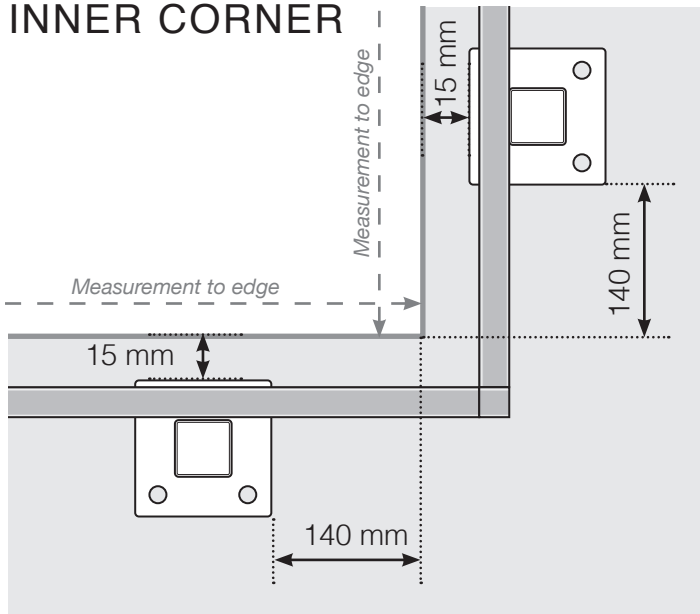
OUTER CORNER NOT 90°



INNER CORNER NOT 90°



INNER CORNER



END

Freestanding / By wall

