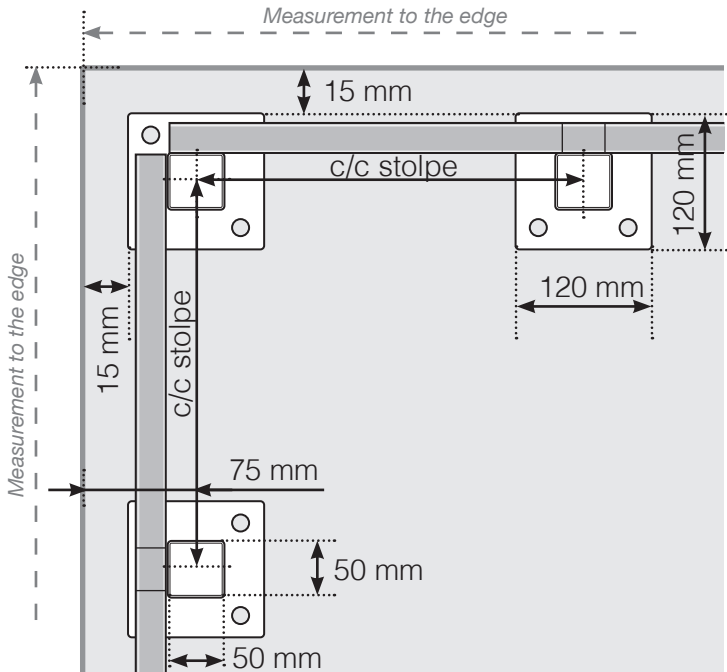


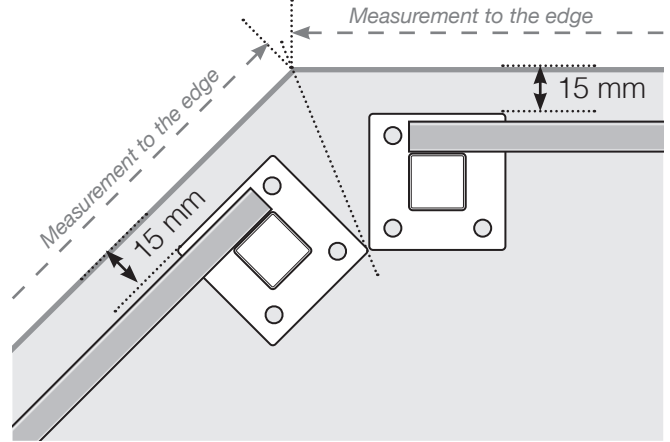
# MEASUREMENT DIAGRAM

PLACEMENT - ALUMINIUM POSTS WITH FEET - DESIGN VARIANT 1

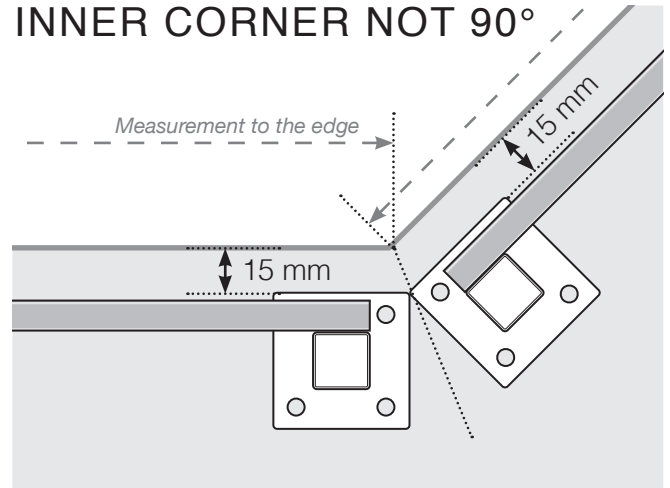
## OUTER CORNER



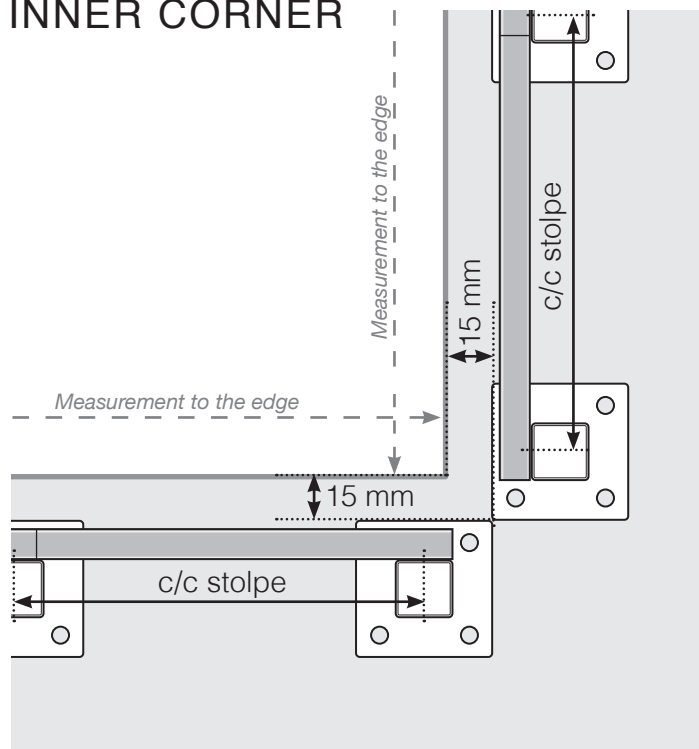
## OUTER CORNER NOT 90°



## INNER CORNER NOT 90°



## INNER CORNER



## END OF POST

