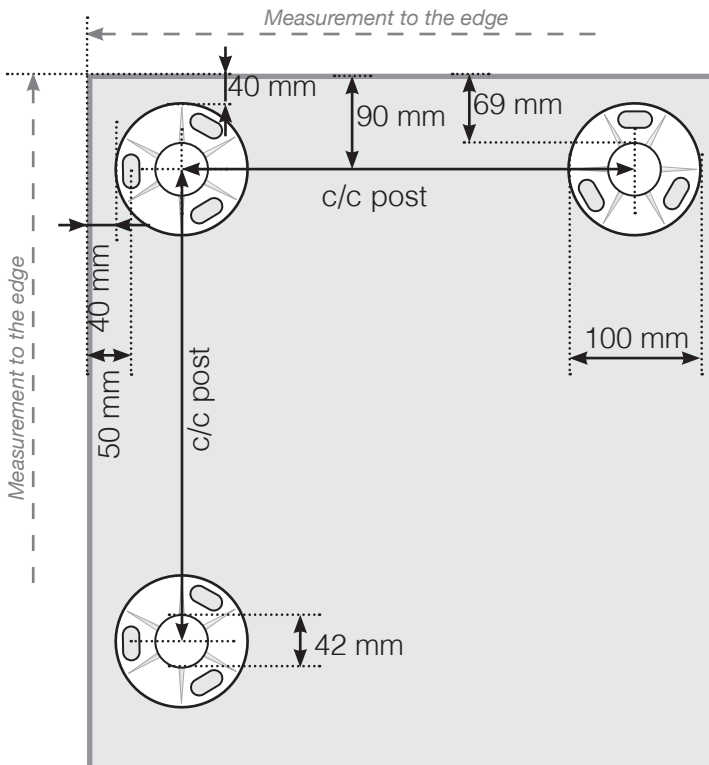


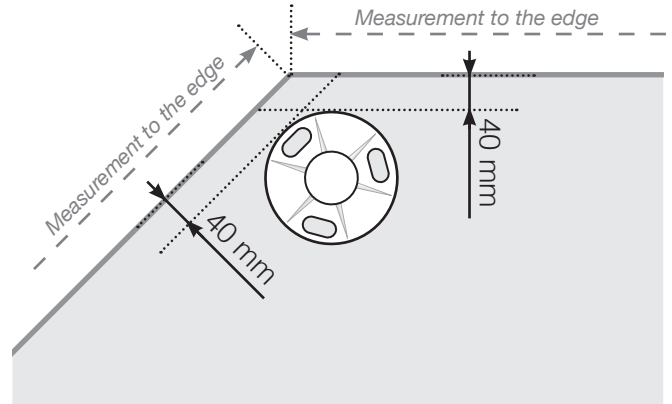
# MEASUREMENT DIAGRAM

PLACEMENT - STAINLESS STEEL POSTS WITH FOOT 1kN  
MOUNTING ON THE CONCRETE SUBSTRATE

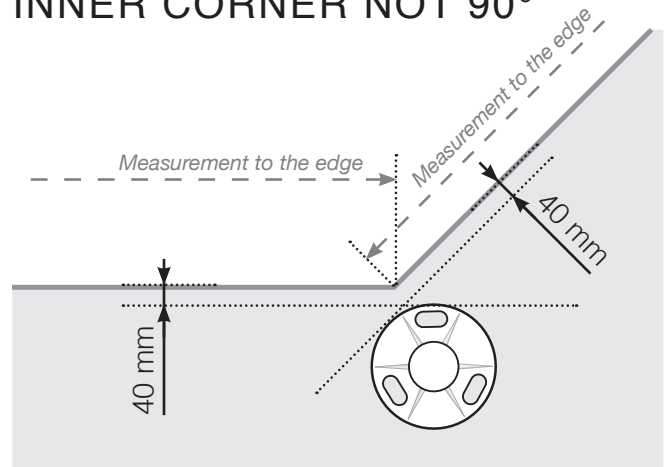
## OUTER CORNER



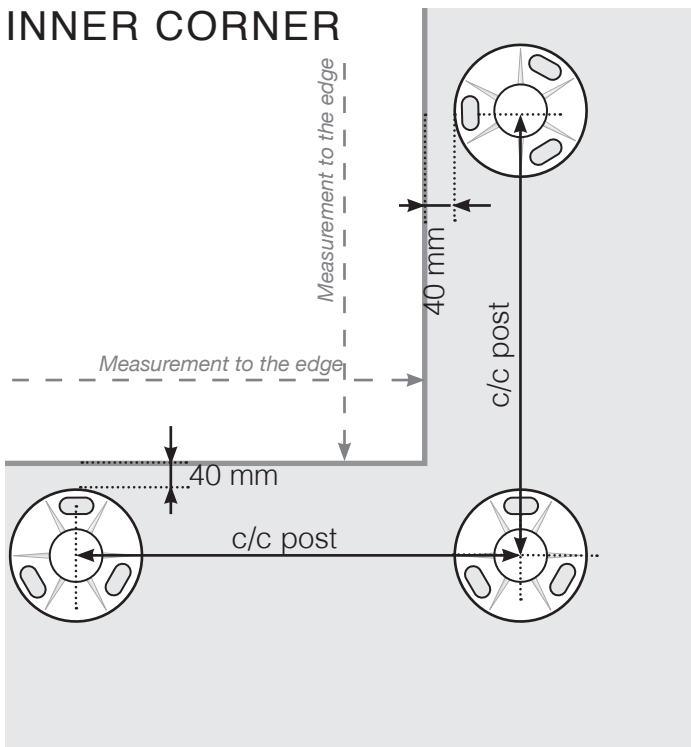
## OUTER CORNER NOT 90°



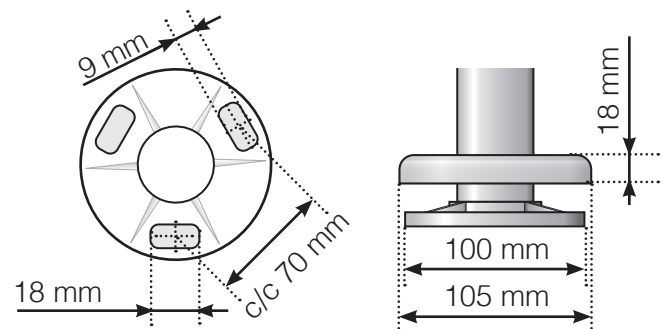
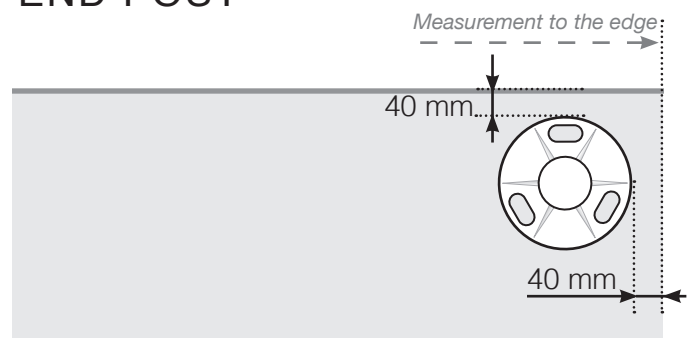
## INNER CORNER NOT 90°



## INNER CORNER



## END POST



Please note that drawings are not to scale

© Räckesbutiken Sweden AB - [www.balustradestore.eu](http://www.balustradestore.eu)

2022-10-10 v.1.0



BALUSTRADESTORE.EU