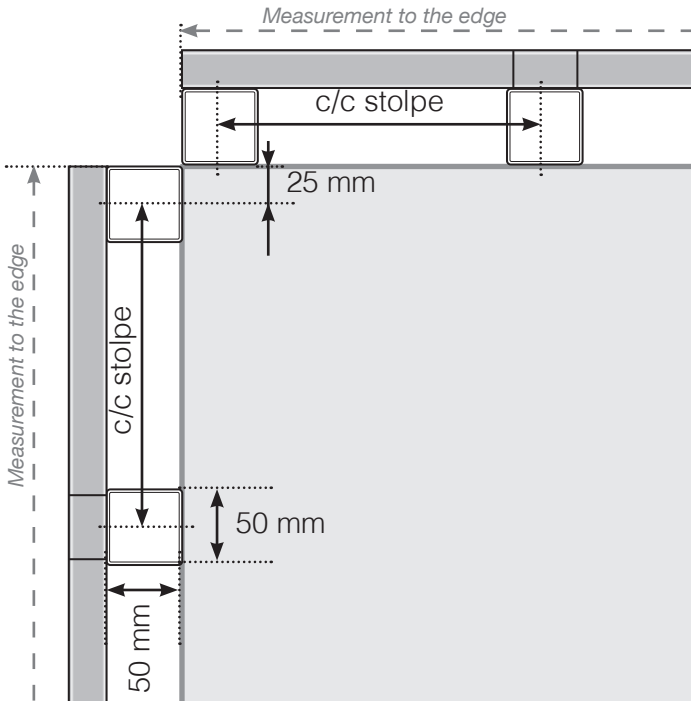


MEASUREMENT DIAGRAM

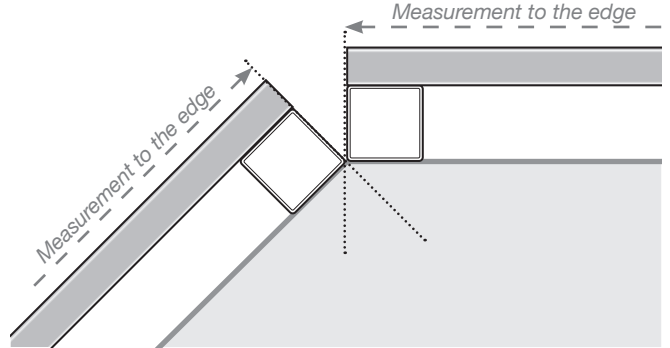
PLACEMENT - OUTER ALUMINIUM POSTS - DESIGN VARIANT 1

WOOD

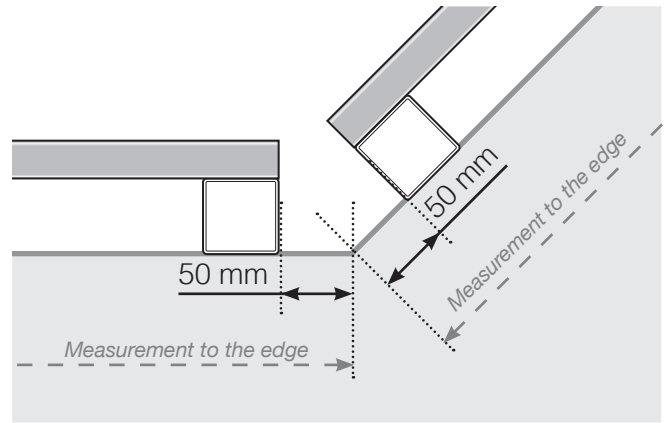
OUTER CORNER



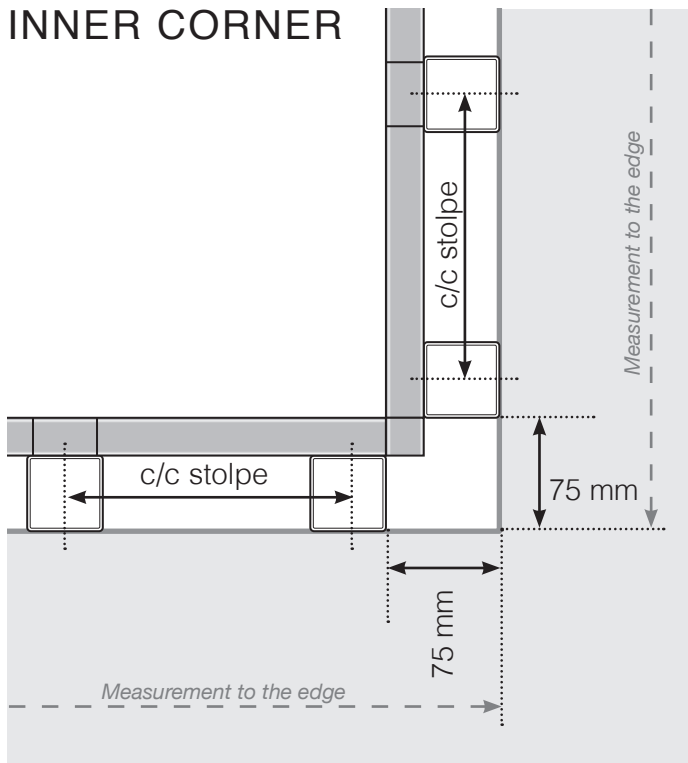
OUTER CORNER NOT 90°



INNER CORNER NOT 90°



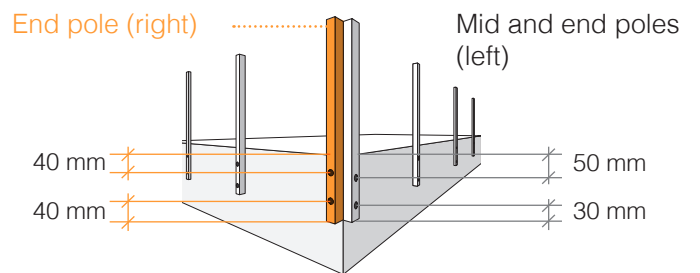
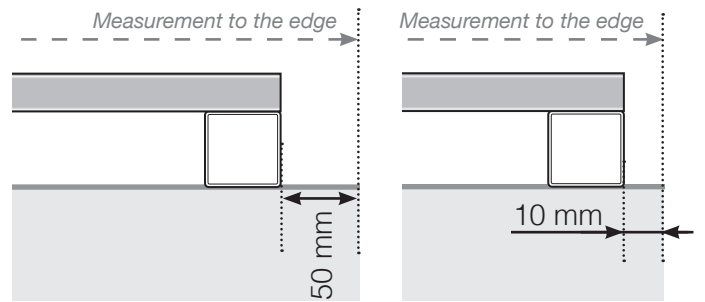
INNER CORNER



END OF POST

With top bar

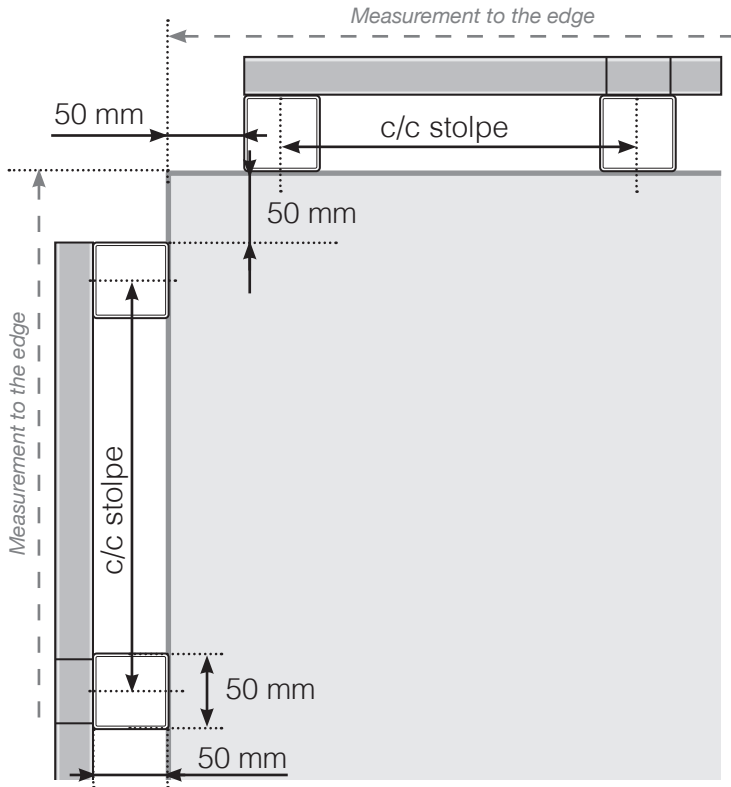
Without top bar



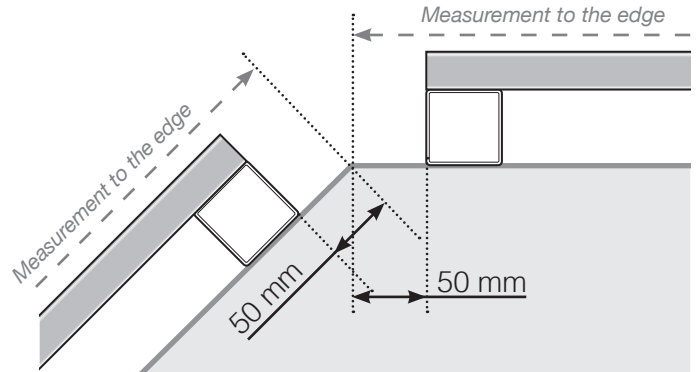
MEASUREMENT DIAGRAM

PLACEMENT - OUTER ALUMINIUM POSTS - DESIGN VARIANT 1
CONCRETE

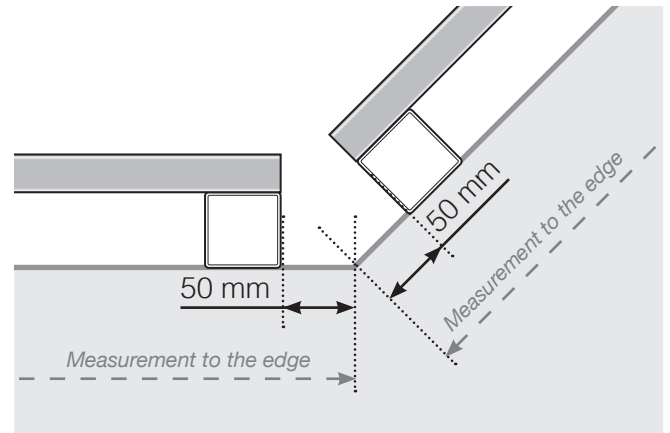
OUTER CORNER



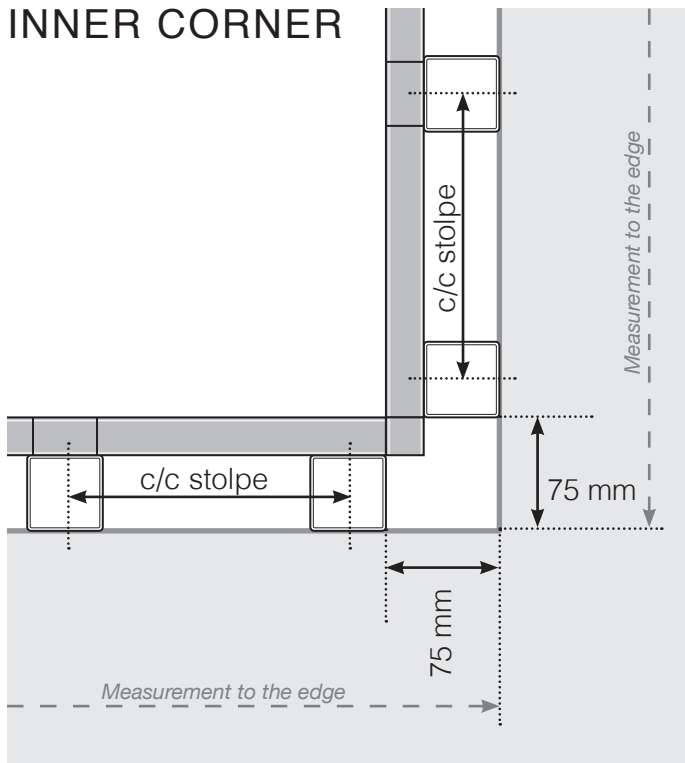
OUTER CORNER NOT 90°



INNER CORNER NOT 90°

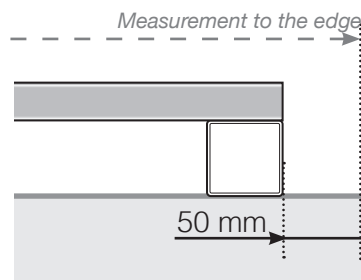


INNER CORNER

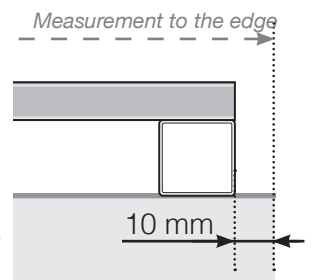


END OF POST

Without top bar



Without top bar



End pole (right)

Mid and end poles (left)

